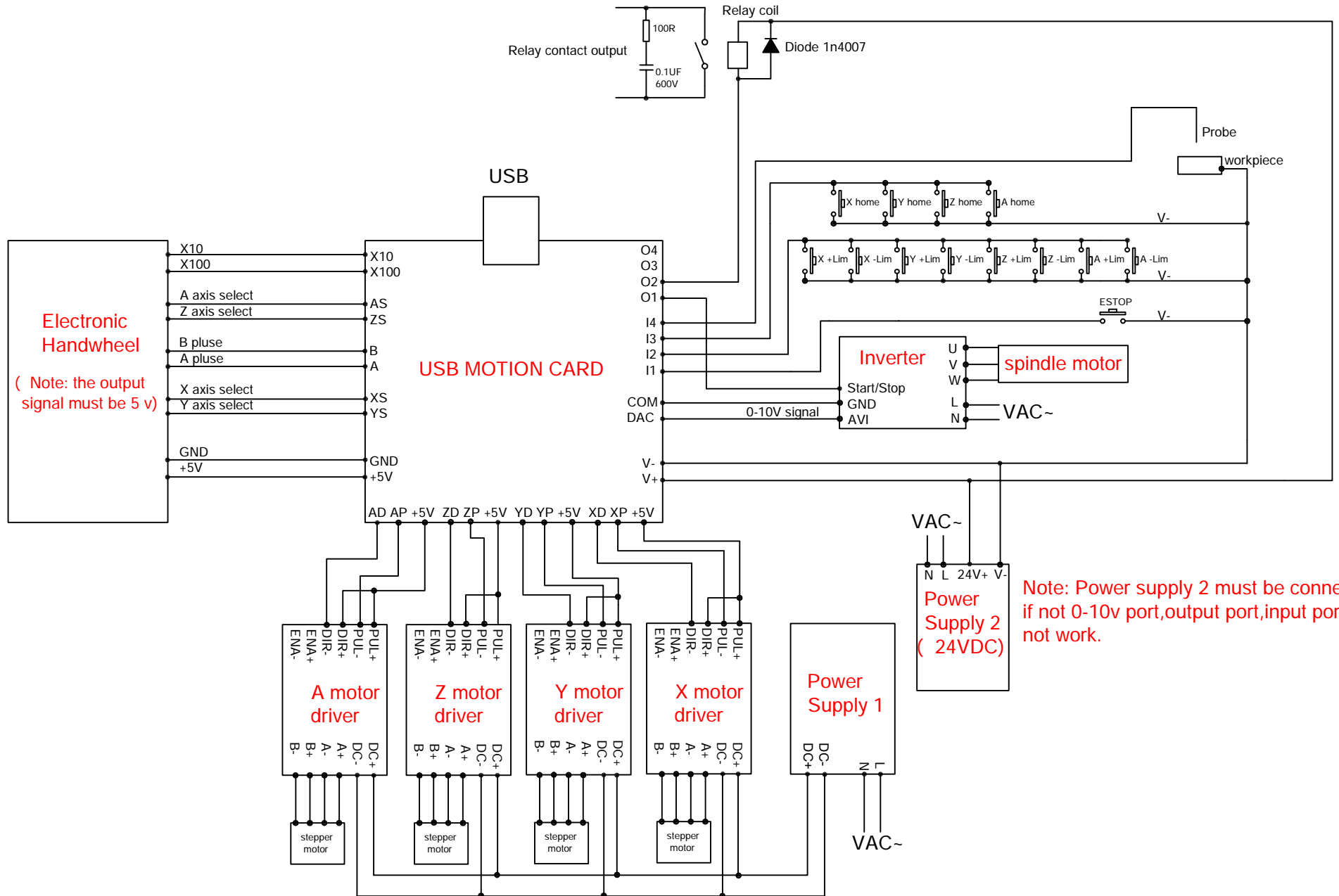


# Electric Wiring Diagram



**Electronic Handwheel**  
 ( Note: the output signal must be 5 v )

**USB MOTION CARD**

**Inverter**

**spindle motor**

**Power Supply 1**

**Power Supply 2 ( 24VDC )**

Note: Power supply 2 must be connected, if not 0-10v port,output port,input port will not work.